

# **BI-FOLD INVISIDOOOR**



## Bi-Fold Bookcase



### Installation Instructions:

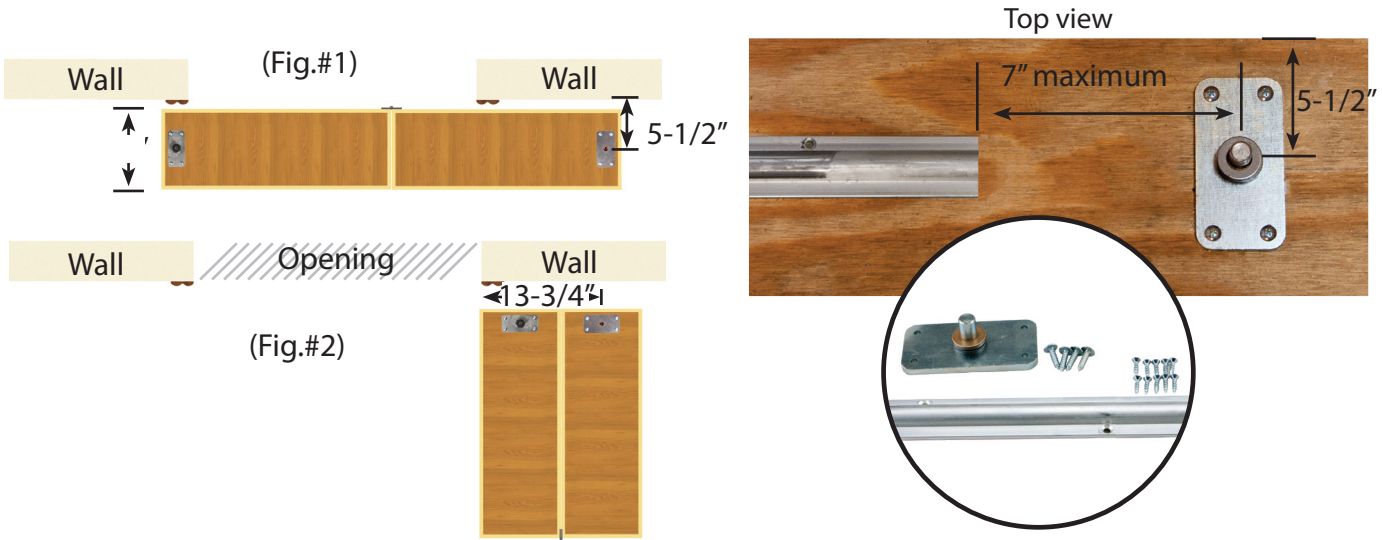
#### Preparation

- The Bifold Bookcase will be mounted in front of a doorway. Verify that the wall is plumb. If it is not, adjustments may need to be made for correct appearance and operation. It is not necessary to remove trim from the door to be able to install the bookcase.
- The weight of the bookcase will be mounted on a baseplate and track that are designed to be mounted directly to the floor with the included wood screws. Verify that the floor has adequate support for weight of the bookcase and its contents and appropriate mounting area for the screws.
- It is recommended that you test mount the hardware and install the bookcase prior to applying stain and finish coat. This will eliminate the chance of damaging the finished product during the process of mounting the hardware and making adjustments.

Required Tools:  
Cordless drill/screwdriver  
Drill bits – 3/32" and 5/8"  
Level  
Hack saw

Begin by deciding where the door will mount in relation to the opening. The bookcase can pivot on the left or right. All diagrams are shown with pivoting hardware mounted on the right side of bookcase.

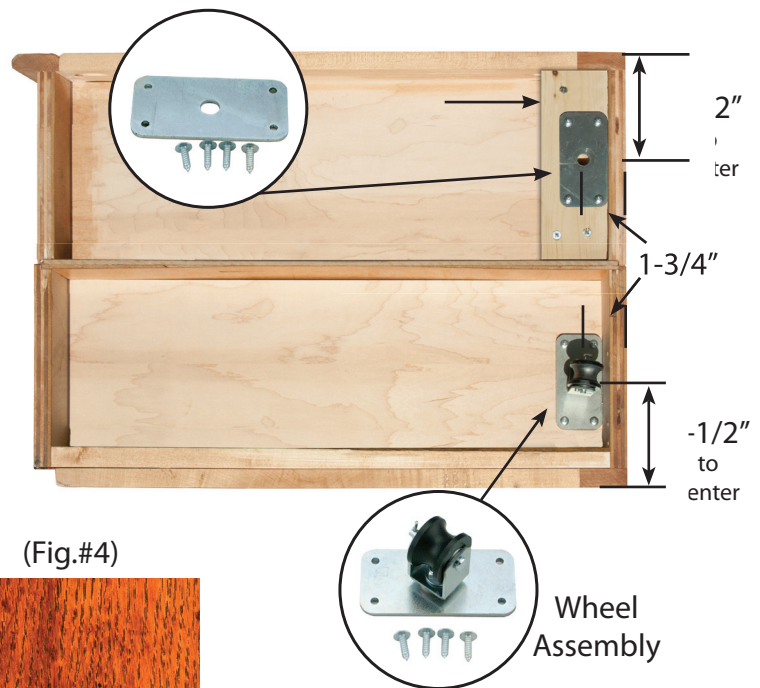
The baseplate and track will both be mounted to the floor centered 5-1/2" away from the wall. Be sure that the track and baseplate are in a straight line that is parallel to the wall. **Using the provided dimensions to mount hardware will allow the bookcase to clear the wall and trim up to 1/2" thick when pivoting. Modify dimensions if your application requires more clearance between wall and bookcase (Fig.#1).**



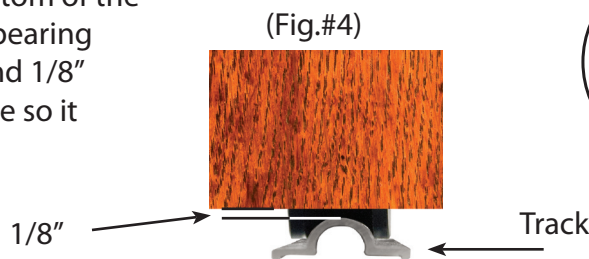
To achieve full access to entire opening, the pivot point must be mounted to the floor at least 13-3/4" beyond the opening. Some applications may be better suited centering the bookcase in front of the opening (Fig.#2).

**Install Hardware to Bottom of Bookcase**

Mount the supplied 2 x 4 mounting block to the bottom of the pivoting side of the bookcase. Drill a 5/8" relief hole at the center of the hole location shown. Drill 1" deep. Fasten plate to the bottom of the pivoting side of the bookcase. The plate should be flush with the bottom of bookcase (Fig.#3).

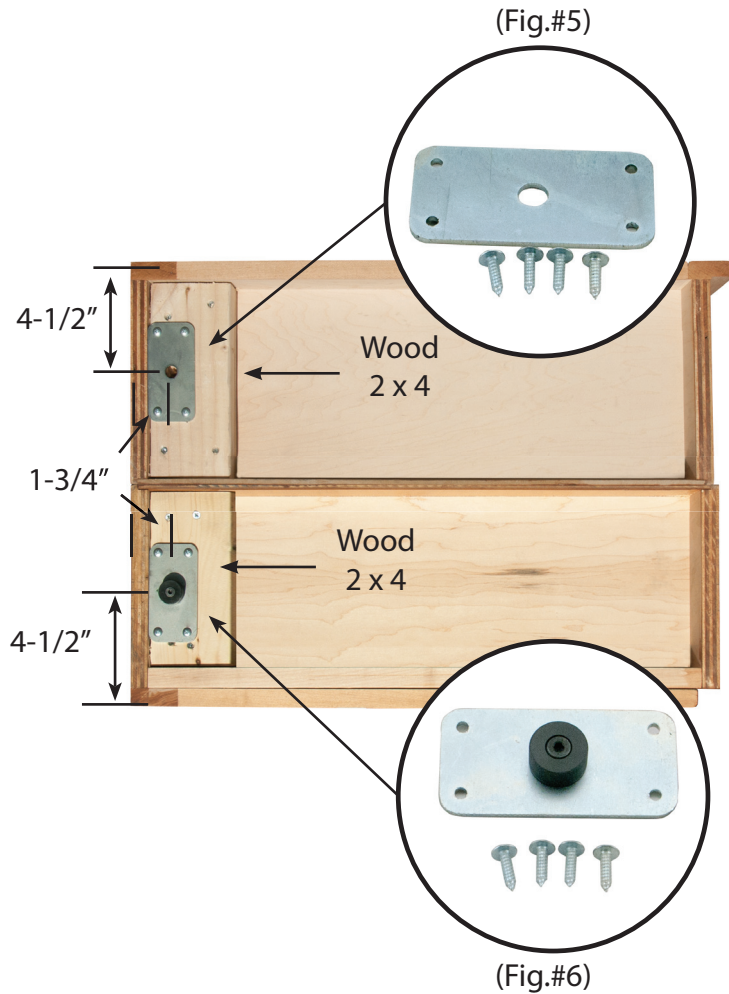


Fasten wheel assembly to the bottom of the rolling side of the bookcase. The bearing surface of the wheel should extend 1/8" below the bottom of the bookcase so it clears the track (Fig.#4).



### Install Hardware to Top of Bookcase

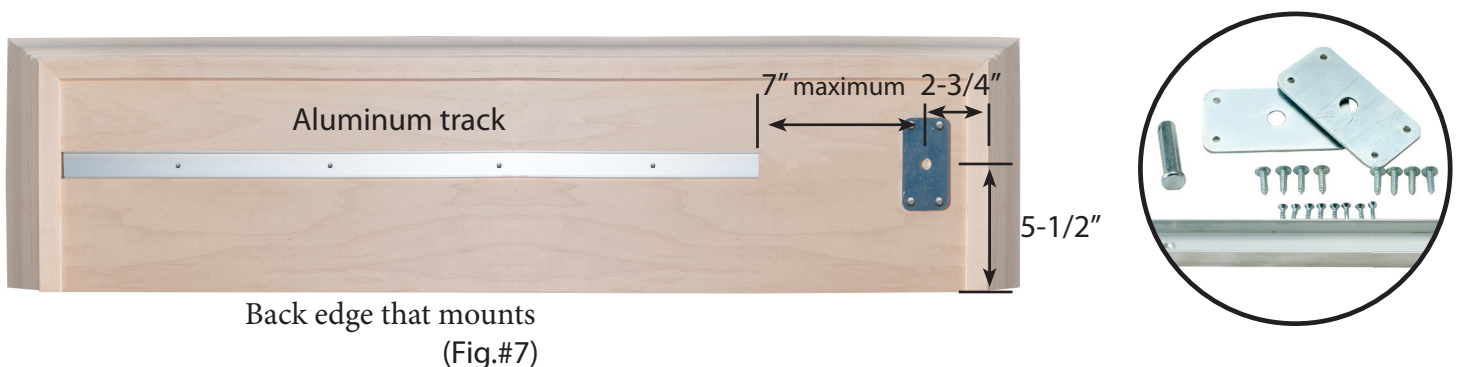
Fasten the plate to the top of the pivoting side of the bookcase as shown (Fig.#5).



Fasten the plate with roller to the top of the rolling side of the bookcase as shown (Fig.#6).

### Attach Hardware to Valance

Drill a 5/8" hole through the valance at the location shown. Fasten plate to the bottom of the valance on the pivoting side of the bookcase as shown. Cut the aluminum track to length and fasten to the bottom of valance. Fasten a second plate to the top of the balance. The hole in this plate must be directly above the hole on the bottom of valance. Insert pin to verify alignment. The aluminum track must extend against the trim on the end opposite the plate. The gap between the plate and track should be no more than 7" (Fig.#7).



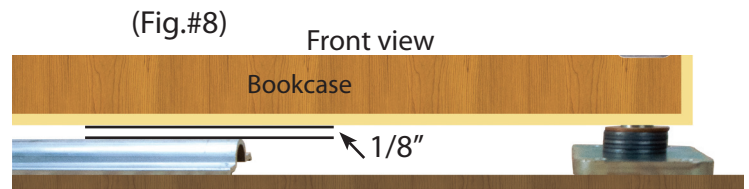
Back edge that mounts  
(Fig.#7)

## Install Bookcase

Install washers onto the floor mounted baseplate. This method allows you to make adjustments to make sure that bookcase is level from side to side. Typically, a total of 6 washers will be used. The bronze bearing washer is intended to be the top washer to keep the bookcase pivoting freely. Move the bookcase into place with the plate of the pivoting side set onto the floor-mounted base plate and the wheel set onto the floor-mounted track.

Check to make sure bookcase is level. Add or remove steel washers as necessary to make bookcase level. There should be 1/8" of clearance between the bottom of the bookcase and the floor mounted track (Fig.#8).

Set the valance on top of the bookcase with the roller fitting into the track mounted to the bottom of the valance. Use a 1/4" spacer between the valance and bookcase to create enough space for the roller to move freely in the track. Use supplied screws to fasten the valance to the wall. Be certain that screws are held into header or studs of wall for secure installation (Fig.#9).



(Fig.#9)



## Finish Bookcase

Remove the valance and bookcase from the opening and remove all hardware from each piece. Do a final sanding of project. Apply stain and finish coat of choice according to manufacturer's directions. Reinstall hardware to the bookcase to mount bookcase back into opening.

\*CSH stands behind the material and workmanship of the hardware kit and bookcase but can not be held liable for faulty installation.

